



## ENGINE

Model	FPT F4HFE6132
Emissions Certification	Tier 4 Final Certified
Cylinders	6
Displacement	409 in <sup>3</sup> (6.7 L)
Fuel injection	Common rail
Fuel	#2 Diesel
Fuel filter	Spin-on w/ in-line strainer
Air intake	Cross-flow
Cooling	Liquid
Engine speeds	RPM
High idle - no load	2200 +/- 50
Rated - full load	2200
Low idle	800 +/- 25
Horsepower @ 2000 RPM – SAE J1349:	
Net	150 hp (112 kW)
Gross	164 hp (122 kW)
Engine lubrication:	
Pump	Deep sump plate cooler w/ pressurized under-piston nozzles
Pump operating angle ratings:	
Side-to-side	35°
Fore and aft	45°
Oil filtration	Replaceable, spin-on full-flow cartridge
Radiator:	
Fins per inch	10
Fan:	
Type	Variable speed/ Auto reversing/Hydraulic driven
Diameter	27.6 in (700 mm)

## DRIVETRAIN

Dual path hydrostatic:	
Pump	Variable axial piston
Motor	Variable bent axis piston
Max. drawbar pull	61,200 lb (272.2 kN)
Transmission	Single lever control – electronic straight tracking
Transmission oil filter	4-micron at beta 75, replaceable w/ 100 mesh suction screen
Travel speeds:	
Forward	5.8 mph (9.3 kph)
Reverse	5.8 mph (9.3 kph)
Parking brakes	Heavy-duty, spring-applied, hydraulic pressure release disc
Steering brakes	Hydrostatic
Final drive	2 helical gear reduction to planetary output
Ratio	61.4:1
Transmission cooling:	
Type	Oil to air
Core size	515.1 in <sup>2</sup> (0.33 m <sup>2</sup> )

## ELECTRICAL

Alternator	120 amp
Battery	(2) 12-volt, low-maintenance 925 cold-cranking amps @ 0° F (-18° C)
Electrical System	24 Volts

## OPERATOR ENVIRONMENT

Fully enclosed ROPS cab; Single lever control for speed, steering and direction; Cloth air suspension seat w/ back adjustment; Retractable 3 in (76 mm) seat belt; Adjustable armrest; Two foot rest; Rearview mirror; Two door windshield wipers; Dome light; 12-volt accessory outlet; Headliner; Floor mat; Rear Wiper; Blue-tooth Radio; Heat/AC.

### Warning lights:

Air filter; Alternator; Diagnostic fault indicator; Engine coolant temperature; Engine oil pressure; Hydraulic filter; Low fuel level; DEF fluid level; Park brake engaged; Service soon indicator; Transmission filter; Transmission charge pressure.

### Gauges:

Battery voltage; Fuel level; Digital hour meter/ tachometer/diagnostic/service reminder; Transmission oil temperature; Transmission speed indicator; Water temperature; Diesel Exhaust Fluid (DEF) level.

### Audible warnings:

Engine coolant temperature; Engine oil pressure; Low fuel level; Transmission charge pressure; Temperature/hydraulic temperature.

## OPERATING WEIGHT

Unit includes cab, full fuel and hydraulic tanks, 77kg (170 lb) operator, 24" salt hd chain, 130" blade width, drawbar w/ step, and all other standard equipment

Extra Long Track	38,243 lb (17 347 kg)
WT/LGP	38,256 lb (17 353 kg)

### Add-on weights:

Drawbar w/step	Incl. 229 lb (104 kg)
Ripper - 3 shank	4,262 lb (1 933 kg)
Brush Sweeps	139 lb (63 kg)
Winch	2,331 lb (1 057 kg)
Winch	2331 lb (1057 kg)
Full Rock Guards	417 lb (189 kg)
Radiator Brush Screen	19 lb (8.7 kg)
Rear Screen	71 lb (32 kg)
Cab Air Quality	86 lb (39 kg)
Universal Blade Guidance Ready	99 lb (45 kg)
Leica CoPilot	151 lb (68 kg)
Leica 2D	225 lb (102 kg)
Leica 3D	205 lb (93 kg)

### Blades:

130 in Blade	Incl. 2,284 lb (1 036 kg)
156.5 in Blade	395 lb (179 kg)
156.5 in Folding Blade	1,861 lb (844 kg)

### Tracks:

SALT Chain:	
24 in	Incl. 6,305 lb (2 860 kg)
28 in	600 lb (272 kg)
34 in	1,429 lb (648 kg)
Ultra Life Closed Chain	
24 in and Rollers	726 lb (329 kg)
28 in and Rollers	1,360 lb (617 kg)
34 in and Rollers	2,196 lb (996 kg)

## HYDRAULICS

Pump flow @ 2200 RPM @ 2,830 psi (19 512 kPa)	34.9 gpm (132 L/min)
Lift cylinder w/ PAT	Two (2)
Bore diameter	4.50 in (114.3 mm)
Rod diameter	2.50 in (63.5 mm)
Stroke	16.88 in (428.8 mm)
Angle cylinder w/ PAT	Two (2)
Bore diameter	4.50 in (114.3 mm)
Rod diameter	2.50 in (63.5 mm)
Stroke	19.79 in (502.7 mm)
Tilt cylinder w/ PAT	One (1)
Bore diameter	5.00 in (127.0 mm)
Rod diameter	2.50 in (63.5 mm)
Stroke	5.84 in (148.4 mm)

## SERVICE CAPACITIES

Fuel tank	85.0 gal (322.0 L)
Engine oil w/ filter	17.3 qt (16.4 L)
Engine oil w/o filter	16.5 qt (15.6 L)
Engine cooling system	8.0 gal (30.28 L)
Hydraulic reservoir	42.0 gal (160.0 L)
Final drive – per side	16.4 qt (15.6 L)
Track rollers – each	0.264 qt (0.250 L)
Front idlers – each	0.349 qt (0.330 L)
Carrier rollers – each	0.285 qt (0.270 L)
DEF tank	14.0 gal (52.0 L)

## OTHER SPECIFICATIONS

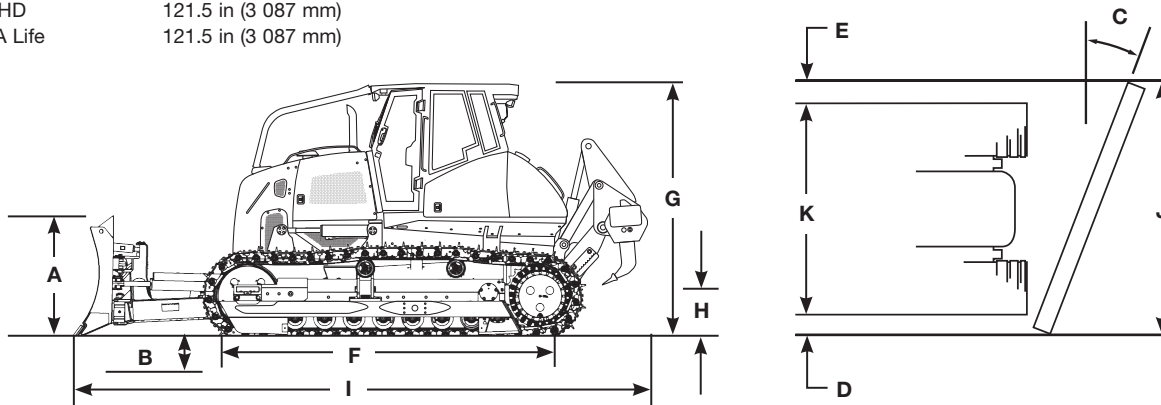
Undercarriage:	
Track adjustment	Hydraulic
Frame	Pivot shaft and oscillating equalizer beam suspension
Length of Track on the ground:	
SALT HD	121.5 in (3 087 mm)
ULTRA Life	121.5 in (3 087 mm)

Track link pitch	7.5 in (190 mm)
Track shoe height	2.19 in (56 mm)
Pin diameter	1.5 in (38 mm)
Bushing diameter:	
SALT HD track	2.56 in (65 mm)
Ultra Life track	2.56 in (65 mm)
Track shoes per side	45
Track rollers per side	8
Carrier rollers per side	2
Track roller rail diameter	7.99 in (203 mm)
Track on ground:	
Shoe area:	
24 in (610 mm)	5,741 in <sup>2</sup> (37 040 cm <sup>2</sup> )
28 in (711 mm)	6,803 in <sup>2</sup> (43 893 cm <sup>2</sup> )
34 in (864 mm)	8,181 in <sup>2</sup> (52 782 cm <sup>2</sup> )

Low ground pressure:	
34 in (864 mm) closed grousers and SALT HD	
34 in (864 mm) closed grousers and Ultra Life	

Blade:	
Variable blade pitch	55° – 60°
Lift speed – per second	19.0 in (483 mm)
Cutting edge	Reversible, replaceable
Width	7.9 in (200 mm)
Thickness	0.8 in (20 mm)

Ripper:	
Max. penetration	21.5 in (546 mm)
Width	76.9 in (1 953 mm)
Cut width	74.4 in (1 890 mm)
Max. ground clearance	24.1 in (611 mm)
Max. number of shanks	3
Tooth spacing:	
w/ 3 teeth	37.2 in (945 mm)
Hydraulic cylinder	
Diameter	6.14 in (156 mm)
Stroke	23.5 in (597 mm)
Rod	2.75 in (70 mm)



Line drawings are for illustrative purpose only and may not be exact representation of unit.

## DIMENSIONS

	Extra Long Track (XLT) with PAT	Wide Track (WT) with PAT	Low Ground Pressure (LGP) with PAT
Blade width	130 in (3 302 mm)	156 in (3 962 mm)	156 in (3 962 mm)
SAE blade capacity	4.28 yd <sup>3</sup> (3.18 m <sup>3</sup> )	5.28 yd <sup>3</sup> (4.04 m <sup>3</sup> )	5.28 yd <sup>3</sup> (4.04 m <sup>3</sup> )
<b>A.</b> Blade height	46.3 in (1 176 mm)	46.3 in (1 176 mm)	46.3 in (1 176 mm)
Blade lift above ground	42.5 in (1 077 mm)	42.5 in (1 077 mm)	42.5 in (1 077 mm)
<b>B.</b> Blade depth below ground	19.8 in (503 mm)	19.8 in (503 mm)	19.8 in (503 mm)
<b>C.</b> Blade angle both directions	25°	25°	25°
<b>D.</b> Cast reach	17.2 in (457 mm)	20.0 in (507 mm)	19.2 in (487 mm)
<b>E.</b> Cut reach	0.9 in (24 mm)	3.9 in (99 mm)	3.0 in (76 mm)
Blade tilt, each end – up to 8.3°	17.7 in (450 mm)	21.7 in (550 mm)	21.7 in (550 mm)
Track gauge	76 in (1.93 m)	86 in (2.18 m)	86 in (2.18 m)
Maximum shoe width	24 in (610 mm)	28 in (711 mm)	34 in (864 mm)
<b>F.</b> Length of track on ground	121.7 in (3.09 m)	121.7 in (3.09 m)	121.7 in (3.09 m)
Area of track on ground	5,741 in <sup>2</sup> (3.70 m <sup>2</sup> )	6,794 in <sup>2</sup> (5.38 m <sup>2</sup> )	8,181 in <sup>2</sup> (4.83 m <sup>2</sup> )
Ground pressure	6.59 psi (0.45 bar)	5.65 psi (0.39 bar)	4.83 psi (0.33 bar)
<b>G.</b> Height to top of ROPS cab	9 ft 8 in (2 945 mm)	9 ft 8 in (2 945 mm)	9 ft 8 in (2 945 mm)
<b>H.</b> Ground clearance	13.5 in (342 mm)	13.5 in (342 mm)	13.5 in (342 mm)
Length:			
Blade straight with drawbar	18 ft 8 in (5 678 mm)	18 ft 8 in (5 678 mm)	18 ft 8 in (5 678 mm)
<b>I.</b> Blade straight with ripper	23 ft 1 in (7 038 mm)	23 ft 1 in (7 038 mm)	23 ft 1 in (7 038 mm)
Width:			
Blade straight	10 ft 10 in (3 302 mm)	13 ft 0 in (3 962 mm)	13 ft 0 in (3 962 mm)
<b>J.</b> Blade angled	9 ft 10 in (3 000 mm)	11 ft 10 in (3 602 mm)	11 ft 10 in (3 602 mm)
<b>K.</b> Over track	8 ft 4 in (2 530 mm)	9 ft 10 in (2 994 mm)	8 ft 2 in (2 490 mm)

NOTE: Ground clearance and overall height dimensions are with the grousers fully penetrated. Add 2.19 in (56 mm) if unit is on solid surface.

## STANDARD EQUIPMENT

### OPERATOR ENVIRONMENT

See page 1

### ENGINE

F4HFE6132  
Tier 4 Final Certified  
V-Shape Cooling package with hydraulic-driven reversing fan  
Integral engine oil cooling  
Fuel filter  
Dual element radial seal air cleaner  
120 amp alternator  
(2) 925 CCA 12-volt batteries  
Coolant Heated DEF Lines  
Hinged engine side panels

### DRIVETRAIN

Dual path infinitely variable, single-lever controlled hydrostatic drive, with electronic straight tracking and counter-rotation  
Final drive:  
Triple reduction; helical gear/planetary decelerator with hydrostatic drive retardation  
Automatic spring-applied parking brake

### BLADE

55° – 60° variable pitch, with integral adjustment tool  
Single lever electro-hydraulic control for blade lift, angle and tilt

### UNDERCARRIAGE

Hydraulic track adjusters  
Sealed and Lubricated Track Chain (SALT)  
Permanently lubricated track and carrier rollers and idlers  
Track adjuster guard  
Track guides – front and rear  
Robust Smooth One Piece Track Frames with Easy Clean-out  
Enhanced Track Recoil System  
Central Grease point for Pivot Shaft and Equalizer Beam

### OTHER

Backup alarm  
Horn  
Premium LED work light package:  
4 total in front  
2 total in rear  
Master disconnect switch  
Mirror  
Hinged Grill  
Operator's manual enclosure  
Turbine Pre-cleaner  
Front pull hook  
Rear drawbar with step  
4-spool hydraulic valve for ripper  
Environmental Drain  
Grid Heater/Cold Start  
Transport Protection  
Anti-vandalism package  
Rear transmission guard

### TELEMATICS

CASE SiteWatch™ 4G Telematics – includes hardware and a 5-yr Advanced data subscription

### PROCARE

CASE ProCare – Full Machine Protection Factory Warranty (3-yr/3000-hr), Planned Maintenance (3-yr/2000-hr) and SiteWatch 4G Telematics

## OPTIONAL EQUIPMENT

### OPERATOR ENVIRONMENT

Cab air quality system

### REAR MOUNTED EQUIPMENT

HD Ripper - 6" Tooth  
Rear Aux. Hydraulic Ready (Ready for ripper or winch field installation including implement joystick)

### BLADES

PAT – 130 in (3 302 mm)  
PAT – 156 in (3 974 mm)  
Foldable PAT – 156 in (3 974 mm)

### GUARDS

Sweeps

### SCREENS

Cab rear screen

### OTHER

CASE Ultra Life Track  
Cab Air Quality System  
Severe Cold Weather Package

### PRECISION

Factory Fit CoPilot  
Factory Fit 2D Laser  
Factory Fit 3D GNSS  
Universal Blade Guidance:  
Compatible with Leica, Trimble and Topcon

CaseCE.com

©2024 CNH Industrial America LLC. All rights reserved. CASE is a trademark registered in the United States and many other countries, owned by or licensed to CNH Industrial N.V., its subsidiaries or affiliates. CNH Industrial Capital is a trademark in the United States and many other countries, owned by or licensed to CNH Industrial N.V., its subsidiaries or affiliates. Printed in U.S.A. Contains 10% post-consumer fiber.

IMPORTANT: CASE Construction Equipment Inc. reserves the right to change these specifications without notice and without incurring any obligation relating to such change. Availability of some models and equipment builds vary according to the country in which the equipment is used. The illustrations and text may include optional equipment and accessories and may not include all standard equipment. Your CASE dealer/distributor will be able to give you details of the products and their specifications available in your area.



CASE Construction Equipment is biodiesel-friendly. NOTE: All engines meet current EPA emissions regulations. All specifications are stated in accordance with SAE Standards or Recommended Practices, where applicable.



Always read the Operator's Manual before operating any equipment. Inspect equipment before using it, and be sure it is operating properly. Follow the product safety signs and use any safety features provided.

Form No. CCE2024121650M  
Replaces Form No. CCE2021021650M

1650M

3 of 3