



ENGINE

Model	FPT F4HFE613J
Emissions Certification	Tier 4 Final Certified
Cylinders	6
Displacement	409 in ³ (6.7 L)
Fuel injection	Common rail
Fuel	#2 Diesel
Fuel filter	Spin-on w/ in-line strainer
Air intake	Cross-flow
Cooling	Liquid
Engine speeds	RPM
High idle - no load	2200 +/- 50
Rated - full load	2000
Low idle	800 +/- 25
Horsepower @ 2000 RPM – SAE J1349:	
Net	214 hp (160 kW)
Gross	232 hp (173 kW)

Engine lubrication:

Pump	Deep sump plate cooler w/ pressurized under-piston nozzles
Pump operating angle ratings:	
Side-to-side	35°
Fore and aft	45°
Oil filtration	Replaceable, spin-on full-flow cartridge
Radiator:	
Fins per inch	10
Fan:	
Type	Variable speed/ Auto reversing/Hydraulic driven
Diameter	27.6 in (700 mm)

SERVICE CAPACITIES

Fuel tank	107.0 gal (405.0 L)
Engine oil w/ filter	17.3 qt (16.4 L)
Engine oil w/o filter	16.5 qt (15.6 L)
Engine cooling system	8.0 gal (30.28 L)
Hydraulic reservoir	55.0 gal (210.0 L)
Final drive – per side	26.4 qt (25.0 L)
Track rollers – each	0.376 qt (0.356 L)
Front idlers – each	0.349 qt (0.330 L)
Carrier rollers – each	0.328 qt (0.310 L)
DEF tank	14.0 gal (52.0 L)

DRIVETRAIN

Dual path hydrostatic:	
Pump	Variable axial piston
Motor	Variable bent axis piston
Max. drawbar pull	81,000 lb (360 kN)
Transmission	Single lever control – electronic straight tracking
Transmission oil filter	4 micron at beta 75, replaceable w/ 100 mesh suction screen
Travel speeds:	
Forward	6.1 mph (9.8 kph)
Reverse	6.1 mph (9.8 kph)
Parking brakes	Heavy-duty, spring-applied, hydraulic pressure release
Steering brakes	Hydrostatic
Final drive	2 helical gear reduction to planetary output
Ratio	48.75:1
Transmission cooling:	
Type	Tube and fin
Core size	510.1 in ² (0.33 m ²)

ELECTRICAL

Alternator	120 amp
Battery	(2) 12-volt, low-maintenance 1200 cold-cranking amps @ 0° F (-18° C)
Electrical System	24 Volts

OPERATOR ENVIRONMENT

Fully enclosed ROPS cab; Single lever control for speed, steering and direction; Cloth air suspension seat w/ back adjustment; Retractable 3 in (76 mm) seat belt; Adjustable armrest; Two foot rest; Rearview mirror; Two door windshield wipers; Dome light; 12-volt accessory outlet; Headliner; Floor mat; Rear Wiper; Blue-tooth Radio; Heat/AC.

Warning lights:

Air filter; Alternator; Diagnostic fault indicator; Engine coolant temperature; Engine oil pressure; Hydraulic filter; Low fuel level; DEF fluid level; Park brake engaged; Service soon indicator; Transmission filter; Transmission charge pressure.

Gauges:

Battery voltage; Fuel level; Digital hour meter/ tachometer/diagnostic/service reminder; Transmission oil temperature; Transmission speed indicator; Water temperature; Diesel Exhaust Fluid (DEF) level.

Audible warnings:

Engine coolant temperature; Engine oil pressure; Low fuel level; Transmission charge pressure; Temperature/hydraulic temperature.

OPERATING WEIGHT

Unit includes cab, full fuel and hydraulic tanks, 77kg (170 lb) operator, 24" salt hd chain, 142" blade width, drawbar w/ step, and all other standard equipment

Extra long track	45,642 lb (20 703 kg)
WT/LGP	45,651 lb (20 707 kg)

Add-on weights:

Drawbar w/Step	Incl. 229 lb (104 kg)
Ripper - 3 Shank	4,262 lb (1 933 kg)
Brush Sweeps	139 lb (63 kg)
Winch	2,331 lb (1 057 kg)
Full Rock Guards	675 lb (306 kg)
Radiator Brush Screen	19 lb (8.7 kg)
Rear Screen	71 lb (32 kg)
Cab Air Quality	88 lb (40 kg)
Universal	99 lb (45 kg)
Leica CoPilot	151 lb (68 kg)
Leica 2D	225 lb (102 kg)
Leica 3D	205 lb (93 kg)

Blades:

142 in Blade	Incl. 2,983 lb (1 353 kg)
157.5 in Blade	278 lb (126 kg)
160 in Folding Blade	1,808 lb (820 kg)

Tracks:

SALT Chain 24 in	Incl. 8,135 lb (3 690 kg)
SALT Chain 30 in	1,190 lb (540 kg)
SALT Chain 36 in	2,324 lb (1 054 kg)
Ultra Life Closed Chain 24 in and Rollers	1,047 lb (475 kg)
Ultra Life Closed Chain 30 in and Rollers	2,176 lb (987 kg)
Ultra Life Closed Chain 36 in and Rollers	3,343 lb (1 517 kg)

HYDRAULICS

Pump flow @ 2200 RPM @ 2,830 psi (19 512 kPa)	40.4 gpm (153 L/min)
Lift cylinder w/ PAT	Two (2)
Bore diameter	4.50 in (114.3 mm)
Rod diameter	2.50 in (63.5 mm)
Stroke	19.21 in (488.0 mm)
Angle cylinder w/ PAT	Two (2)
Bore diameter	4.50 in (114.3 mm)
Rod diameter	2.50 in (63.5 mm)
Stroke	19.79 in (502.7 mm)
Tilt cylinder w/ PAT	One (1)
Bore diameter	5.00 in (127.0 mm)
Rod diameter	2.50 in (63.5 mm)
Stroke	5.84 in (148.4 mm)
Lift cylinder – Bulldozer	Two (2)
Bore diameter	3.68 in (93.5 mm)
Rod diameter	2.25 in (57.2 mm)
Stroke	35.67 in (906 mm)
Tilt cylinder – Bulldozer	One (1)
Bore diameter	4.50 in (114.3 mm)
Rod diameter	2.50 in (63.5 mm)
Stroke	3.89 in (98.9 mm)

OTHER SPECIFICATIONS

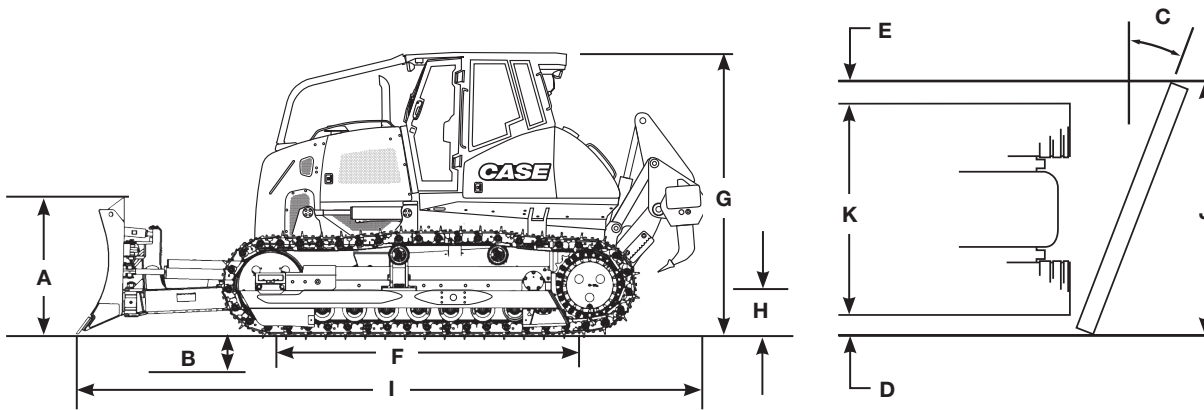
Undercarriage:	
Track adjustment	Hydraulic
Frame	Pivot shaft and oscillating equalizer beam suspension
Length of track on ground	128 in (3.25 m)
Track link pitch	7.99 in (202.9 mm)
Track shoe height	2.81 in (71.5 mm)
Pin diameter	1.75 in (44.5 mm)
Bushing diameter:	
SALT HD track	2.87 in (72.9 mm)
Ultra Life track	2.87 in (72.9 mm)
Track shoes per side	45
Track rollers per side	8
Carrier rollers per side	2
Track roller rail diameter	8.94 in (227 mm)

Track on ground:	
Shoe area:	
24 in (600 mm)	6,038 in ² (38 592 cm ²)
30 in (750 mm)	7,547 in ² (48 890 cm ²)
36 in (905 mm)	9,107 in ² (58 753 cm ²)

Track:	
Extra long track:	
24 in (600 mm) closed grousers and SALT HD	
24 in (600 mm) open grousers and Ultra Life	
Wide track:	
30 in (762 mm) closed grousers and SALT HD	
30 in (762 mm) open grousers and Ultra Life	
Low ground pressure:	
36 in (905 mm) closed grousers and SALT HD	
36 in (905 mm) open grousers and Ultra Life	

Blade:	
Variable blade pitch	55° – 60°
Lift speed – per second	19.0 in (483 mm)
Cutting edge – PAT	Reversible, replaceable
Width	10.0 in (254 mm)
Thickness	0.8 in (20 mm)

Ripper:	
Max. penetration	18.6 in (472.5 mm)
Width	76.3 in (1 937 mm)
Cut width	74.4 in (1 890 mm)
Max. ground clearance	23.7 in (601.7 mm)
Max. number of shanks	3
Tooth spacing:	
w/ 3 teeth	33.6 in (854.3 mm)
Hydraulic cylinder	
Diameter	6.14 in (156 mm)
Stroke	23.5 in (597 mm)
Rod	2.75 in (70 mm)



Line drawings are for illustrative purpose only and may not be exact representation of unit.

DIMENSIONS

	Extra Long Track (XLT) with Semi-U	Extra Long Track (XLT) with PAT	Low Ground Pressure (LGP) with Straight PT	Low Ground Pressure (LGP) with PAT	Low Ground Pressure (LGP) with Semi-U
Blade width	134.7 in (3 422 mm)	142 in (3 607 mm)	154 in (3 900 mm)	157.5 in (4 064 mm)	157 in (3 988 mm)
SAE blade capacity	7.29 yd ³ (5.57 m ³)	6.32 yd ³ (4.83 m ³)	4.94 yd ³ (3.78 m ³)	7.12 yd ³ (5.54 m ³)	7.98 yd ³ (6.10 m ³)
A. Blade height	56 in (1 418 mm)	53.8 in (1 366 mm)	43.5 in (1 105 mm)	53.9 in (1 369 mm)	53 in (1 349 mm)
Blade lift above ground	49 in (1 237.7 mm)	44.5 in (1 130 mm)	46 in (1 169 mm)	44.5 in (1 130 mm)	48.4 in (1 228 mm)
B. Blade depth below ground	21.5 in (546.8 mm)	21.4 in (542.8 mm)	20.0 in (507.8 mm)	21.4 in (542.8 mm)	21.6 in (548 mm)
C. Blade angle both directions	–	25°	–	25°	–
D. Cast reach	17.3 in (438.9 mm)	22.7 in (576.4 mm)	14.3 in (363 mm)	18.6 in (472.1 mm)	16.2 in (411 mm)
E. Cut reach	17.3 in (438.9 mm)	5.7 in (145.7 mm)	14.3 in (363 mm)	1.7 in (43.0 mm)	16.2 in (411 mm)
Blade tilt, each end	17 in (433 mm)	21.7 in (550 mm)	16.2 in (411 mm)	21.7 in (550 mm)	15.7 in (400 mm)
Track gauge	76 in (1.94 m)	76 in (1.94 m)	89 in (2.26 m)	89 in (2.26 m)	89 in (2.26 m)
Maximum shoe width	24 in (600 mm)	24 in (600 mm)	36 in (905 mm)	36 in (905 mm)	36 in (905 mm)
F. Length of track on ground	128 in (3.25 m)	128 in (3.25 m)	128 in (3.25 m)	128 in (3.25 m)	128 in (3.25 m)
Area of track on ground	6,038 in ² (3.90 m ²)	6,038 in ² (3.90 m ²)	9,107 in ² (5.88 m ²)	9,107 in ² (5.88 m ²)	9,107 in ² (5.88 m ²)
Ground pressure	7.52 psi (0.52 bar)	7.52 psi (0.52 bar)	5.35 psi (0.36 bar)	5.35 psi (0.36 bar)	5.35 psi (0.36 bar)
G. Height to top of ROPS cab	10 ft 4 in (3 150 mm)	10 ft 4 in (3 150 mm)	10 ft 4 in (3 150 mm)	10 ft 4 in (3 150 mm)	10 ft 4 in (3 150 mm)
Height to top of exhaust	9 ft 4 in (2 870.7 mm)	9 ft 4 in (2 870.7 mm)	9 ft 4 in (2 870.7 mm)	9 ft 4 in (2 870.7 mm)	9 ft 4 in (2 870.7 mm)
H. Ground clearance	16.1 in (408.2 mm)	16.1 in (408.2 mm)	16.1 in (408.2 mm)	16.1 in (408.2 mm)	16.1 in (408.2 mm)
Length:					
Blade straight with drawbar	17 ft 7 in (5 359 mm)	19 ft 4 in (5 902 mm)	19 ft 3 in (5 867 mm)	19 ft 4 in (5 902 mm)	19 ft 6 in (5 980 mm)
I. Blade straight with ripper	22 ft 5 in (6 833 mm)	24 ft 2 in (7 366 mm)	22 ft 9 in (6 934 mm)	24 ft 2 in (7 366 mm)	24 ft 1 in (7 353 mm)
Width:					
Blade straight	11 ft 2 in (3 404 mm)	11 ft 8 in (3 556 mm)	12 ft 8 in (3 861 mm)	13 ft 3 in (4 039 mm)	13 ft 1 in (3 988 mm)
J. Blade angled	–	10 ft 9 in (3 287 mm)	12 ft 1 in (3 690 mm)	11 ft 9 in (3 625 mm)	–
K. Over track	8 ft 3 in (2 515 mm)	8 ft 3 in (2 515 mm)	10 ft 4 in (3 150 mm)	10 ft 4 in (3 150 mm)	10 ft 4 in (3 166 mm)

NOTE: Ground clearance and overall height dimensions are with the grousers fully penetrated. Add 2.19 in (56 mm) if unit is on solid surface.

STANDARD EQUIPMENT

OPERATOR ENVIRONMENT

See page 1

ENGINE

F4HFE613J
Tier 4 Final Certified
V-Shape Cooling package with hydraulic-driven reversing fan
Integral engine oil cooling
Fuel filter
Dual element radial seal air cleaner
120 amp alternator
(2) 950 CCA 12-volt batteries
Coolant Heated DEF Lines
Hinged engine side panels

DRIVETRAIN

Dual path infinitely variable, single-lever controlled hydrostatic drive, with electronic straight tracking and counter-rotation
Final drive:
Triple reduction; helical gear/planetary decelerator with hydrostatic drive retardation
Automatic spring-applied parking brake

BLADE

55° – 60° variable pitch
Single lever electro-hydraulic control for blade lift, angle and tilt

UNDERCARRIAGE

Hydraulic track adjusters
Sealed and Lubricated Track Chain (SALT)
Permanently lubricated track and carrier rollers
Track adjuster guard
Track guides – front and rear
Robust Smooth One Piece Track Frames with Easy Clean-out
Robust Rock Guards
Enhanced Track Recoil System
Central Grease point for Pivot Shaft and Equalizer Beam

OTHER

Backup alarm
Horn
Premium LED work light package:
4 total in front
2 total in rear
Ground Level Master disconnect switch
Mirror
Turbine Pre-cleaner
Front pull hook
4-spool hydraulic valve (PAT Blade)
3-spool hydraulic valve (Semi-U / Straight Blade)
Hinged Grill
Operator's manual enclosure
Rear drawbar with step
Environmental Drain
Grid Heater/Cold Start
Transport Protection
Anti-vandalism package
Rear Transmission guard

TELEMATICS

CASE SiteWatch™ 4G Telematics – includes hardware and a 5-yr Advanced data subscription

PROCARE

CASE ProCare – Full Machine Protection Factory Warranty (3-yr/3000-hr), Planned Maintenance (3-yr/2000-hr) and SiteWatch 4G telematics

OPTIONAL EQUIPMENT

OPERATOR ENVIRONMENT

Cab air quality system

HYDRAULICS

4-spool hydraulic valve for field-installed ripper
3-spool hydraulic valve without plugs for field-installed ripper
3-spool hydraulic valve with plugs

REAR MOUNTED EQUIPMENT

Ripper – 2 position with 3 shanks
Rear Aux. Hydraulic Ready (Ready for ripper or winch field installation including implement joystick)

BLADES

PAT – 142 in (3 607 mm)
54 in height
Folding PAT – 160 in (4 064 mm)
HS Straight (WT/LGP) – 154 in (3 900 mm)
Semi-U – 135 in (3 422 mm)
Larger Bull Dozer LGP
Semi-U Blade – 157 in (3 988 mm)

GUARDS

Sweeps
Waste Handler Guarding Package

SCREENS

Cab rear screen

OTHER

CASE Ultra Life Track
Severe Cold Weather Package
Cab air quality system

PRECISION

Factory Fit CoPilot
Factory Fit 2D Laser
Factory Fit 3D GNSS
Universal Blade Guidance:
Compatible with Leica, Trimble and Topcon

CaseCE.com

©2024 CNH Industrial America LLC. All rights reserved. CASE is a trademark registered in the United States and many other countries, owned by or licensed to CNH Industrial N.V., its subsidiaries or affiliates. CNH Industrial Capital is a trademark in the United States and many other countries, owned by or licensed to CNH Industrial N.V., its subsidiaries or affiliates. Printed in U.S.A. Contains 10% post-consumer fiber.

IMPORTANT: CASE Construction Equipment Inc. reserves the right to change these specifications without notice and without incurring any obligation relating to such change. Availability of some models and equipment builds vary according to the country in which the equipment is used. The illustrations and text may include optional equipment and accessories and may not include all standard equipment. Your CASE dealer/distributor will be able to give you details of the products and their specifications available in your area.



CASE Construction Equipment is biodiesel-friendly. NOTE: All engines meet current EPA emissions regulations. All specifications are stated in accordance with SAE Standards or Recommended Practices, where applicable.



Always read the Operator's Manual before operating any equipment. Inspect equipment before using it, and be sure it is operating properly. Follow the product safety signs and use any safety features provided.

Form No. CCE2024122050M
Replaces Form No. CCE2021122050M

2050M

3 of 3